

WHY DO DNA HELICAL MODELS EXHIBIT WEDGE ROLLS? A MATHEMATICAL RATIONALE*

DHANANJAY BHATTACHARYYA and MANJU BANSAL

Molecular Biophysics Unit, Indian Institute of Science, Bangalore 560 012, India.

ABSTRACT

The base-pair parameters wedge-tilt and wedge-roll are extremely useful for describing curved DNA structures. The wedge effect has generally been assumed to be due to the differences between the base-pair tilts and rolls of two successive base-pairs in a DNA molecule. A mathematical formalism has been established here, which shows that, wedge-roll is a function of base-pair tilt and helical twist, similarly the wedge-tilt is a function of base-pair roll and helical twist. This provides a straightforward explanation for the reported wedge-roll in *A*-DNA helical model of 12° and gives a value of -3.8° for *B*-DNA fiber model. The wedge-rolls and wedge-tilts calculated for the oligonucleotide crystal structures, using these relations, are in excellent agreement with the values reported earlier, which were calculated directly from the coordinates, using a global helix axis.

INTRODUCTION

THE uniform helical models proposed on the basis of X-ray fiber data assume that all the nucleotide units have an identical structure. Since there is no variation between the units, the base-pairs in them are simply characterized in terms of their orientation with respect to the helix axis (*Z*-axis). The base-pair orientation is described in terms of two angles: tilt (Θ_x) and roll (Θ_y) and the displacement ($D \text{ \AA}$) of the base-pair centre from the helix axis¹⁻³. However the recently studied oligonucleotide crystal structures^{2,4} and the models for curved DNA⁵⁻⁹ indicate that the relative orientations of neighbouring base-pairs may also be described in terms of two wedge parameters, wedge-roll (Θ_R) and wedge-tilt (Θ_T). The wedge-roll in a straight *B*-DNA model has been assumed to be zero while the large wedge-roll value for fiber *A*-DNA has been explained descriptively and pictorially^{4,6} as being due to the large displacement of the tilted base-pairs from the helix axis. However no rigorous mathematical or geometrical explanation is available. We show here, from simple mathematical relations between the orientation vectors of two neighbouring base-pairs in a regular helix that the wedge-roll can be simply expressed in terms of the base-pair tilts and helical twist, a relationship shown graphically in our earlier paper³. Similarly the wedge-tilt is related to the intrinsic rolls of the base-pairs.

METHOD

The orientation vectors for each base-pair have been termed as the local base-pair axes. The average of the two base normals defines the base-pair normal (local *Z*-axis) while the line joining C8 (purine)-C6 (pyrimidine) defines the *Y*-axis. The *X*-axis is now defined by the direction normal to both this axis and the base-pair normal, such that a right-handed frame of reference is obtained (figure 1). These axes can be defined in an external cartesian frame of reference by their direction cosines (l_x, m_x, n_x) and (l_y, m_y, n_y), and the unit vectors along the *X* and *Y*-axes of the first base-pair are given by

$$X_1 = l_x i + m_x j + n_x k \quad (1)$$

$$Y_1 = l_y i + m_y j + n_y k. \quad (2)$$

Since the *Z*-axis of the external frame can be chosen to coincide with the helix axis, the second base-pair is related to the first by a rotation (corresponding to helical twist Θ) and a translation (helical rise) about this axis. The unit vectors X_2 and Y_2 are therefore given by the following relations

$$X_2 = (l_x \cos \Theta - m_x \sin \Theta) i + (l_x \sin \Theta + m_x \cos \Theta) j + n_x k \quad (3)$$

$$Y_2 = (l_y \cos \Theta - m_y \sin \Theta) i + (l_y \sin \Theta + m_y \cos \Theta) j + n_y k, \quad (4)$$

*The material reported here is part of the work presented at the EMBO Workshop on "DNA Curvature and Bending" held at Cambridge, UK (10-15 September 1988).

where Θ = helical twist angle; $n_x = \sin(\Theta_y)$ and $n_y = \sin(\Theta_x)$.

The wedge-roll and wedge-tilt are defined^{1,8} by the inclination of the base-pair X - and Y -axes to the mean plane defined by the two neighbouring base-pairs (figure 1). The X - and Y -axes of this mean plane are defined as

$$X_m = \frac{X_1 + X_2}{|X_1 + X_2|} \quad \text{and} \quad Y_m = \frac{Y_1 + Y_2}{|Y_1 + Y_2|} \quad (5)$$

The normal Z_m to the mean plane is then given by

$$Z_m = X_m \times Y_m \quad (6)$$

Hence the value of wedge-roll (Θ_R) as defined above is given by

$$\sin(\Theta_R/2) = -X_1 \cdot Z_m = X_2 \cdot Z_m =$$

$$\left[\frac{-n_y \sin \Theta}{[(1 + \cos \Theta)^2 + (n_x^2 + n_y^2) \sin^2 \Theta + n_x^2 n_y^2 (1 - \cos \Theta)^2]^{1/2}} \right] \quad (7)$$

Similarly wedge-tilt Θ_T is given by the relation

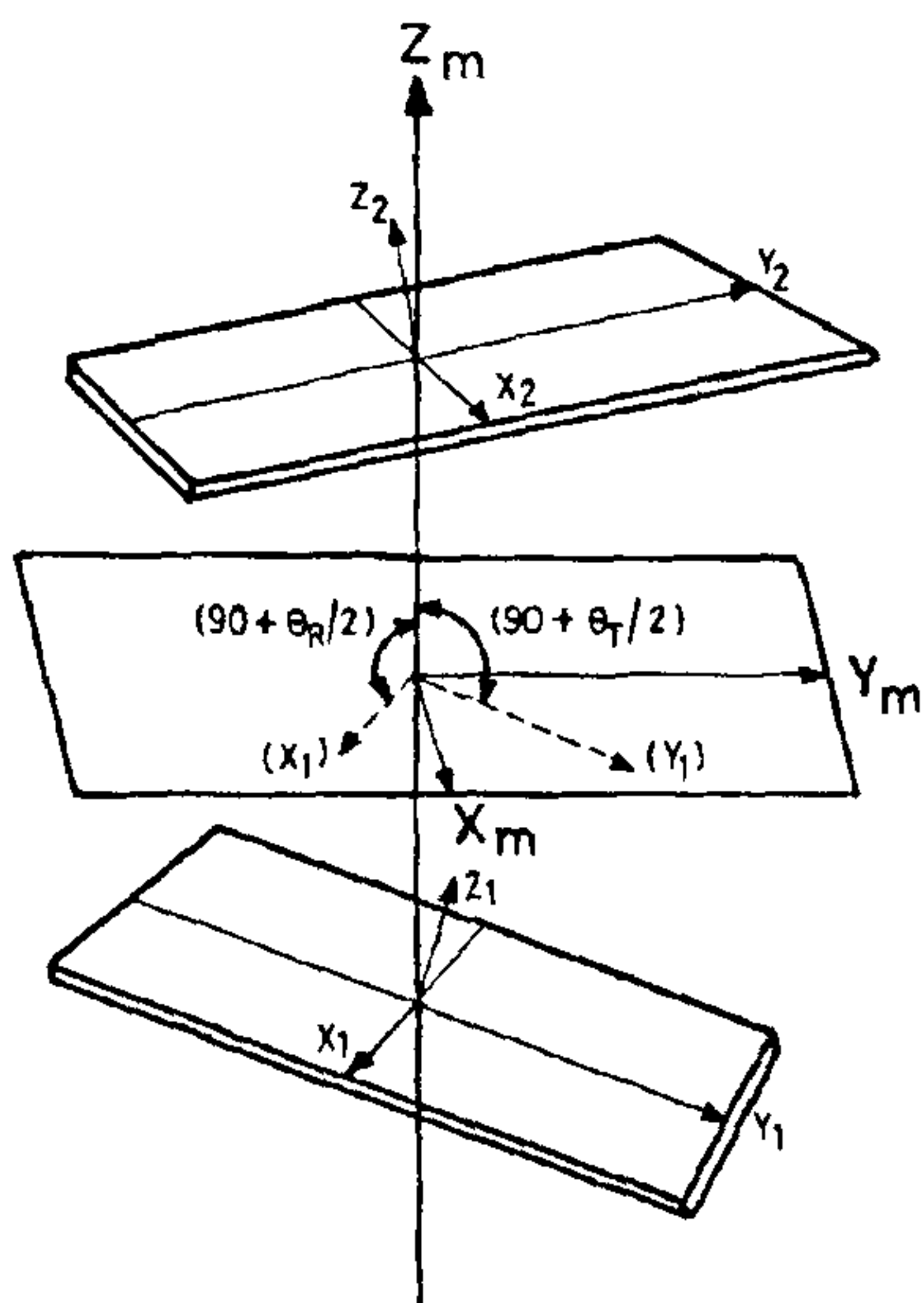


Figure 1. Schematic drawing showing two local base-pair axes and the imaginary mean plane axes (X_m, Y_m, Z_m). The wedge parameters Θ_R and Θ_T which are related to the angles between X_1 (or X_2) and Z_m, Y_1 (or Y_2) and Z_m respectively are also shown.

$$\sin(\Theta_T/2) = -Y_1 \cdot Z_m = Y_2 \cdot Z_m =$$

$$\left[\frac{n_x \sin \Theta}{[(1 + \cos \Theta)^2 + (n_x^2 + n_y^2) \sin^2 \Theta + n_x^2 n_y^2 (1 - \cos \Theta)^2]^{1/2}} \right] \quad (8)$$

Neglecting the terms containing n_x^2 and n_y^2 in (7) and (8), the following approximate relations are obtained

$$\Theta_R = 2 \sin^{-1}[-\sin \Theta_x \cdot \tan(\Theta/2)] \quad (9)$$

$$\Theta_T = 2 \sin^{-1}[\sin \Theta_y \cdot \tan(\Theta/2)]. \quad (10)$$

RESULTS AND DISCUSSION

The expression (7) when used to calculate wedge-roll for the uniform fiber models¹⁰ gives values of $\Theta_R = -3.8^\circ$ and 11.6° for B - and A -DNA respectively while the approximate relation (9) gives values of -3.8° and 11.5° .

The values of wedge-roll (Θ_R) calculated for different values of base-pair tilts (Θ_x) are shown in figure 2. It may be mentioned that this value does not show any explicit dependence on the displacement (D) of the base-pairs from the helix-axis.

Equations (7) and (8) are a pair of quadratic simultaneous equations and can be solved to obtain the values of Θ_x and Θ_y for any given value of the wedge parameters (Θ_R, Θ_T) and helical twist (Θ) using the inverse relations

$$\sin \Theta_x = n_y = [(1/2T) \cot(\Theta/2) [(1-R-T) - \sqrt{\{(1-R-T)^2 - 4RT\}}]^{1/2} \quad (11)$$

and

$$\sin \Theta_y = n_x = [(1/2R) \cot(\Theta/2) [(1-R-T) - \sqrt{\{(1-R-T)^2 - 4RT\}}]^{1/2} \quad (12)$$

where,

$$R = \sin^2(\Theta_R/2) \quad \text{and} \quad T = \sin^2(\Theta_T/2).$$

The Θ_{x1} and Θ_{x2} thus obtained, for any two base-pairs, are always equal (as also the Θ_{y1} and Θ_{y2}). For a uniform helix this condition is always true. However, in the case of a non-uniform structure this implies the definition of a local helix axis, different from the average or global helix axis¹¹ and is similar to the cylinder axis defined in reference 8. Using these values of Θ_x and Θ_y , a non-uniform structure can be easily generated for DNA³, corresponding to

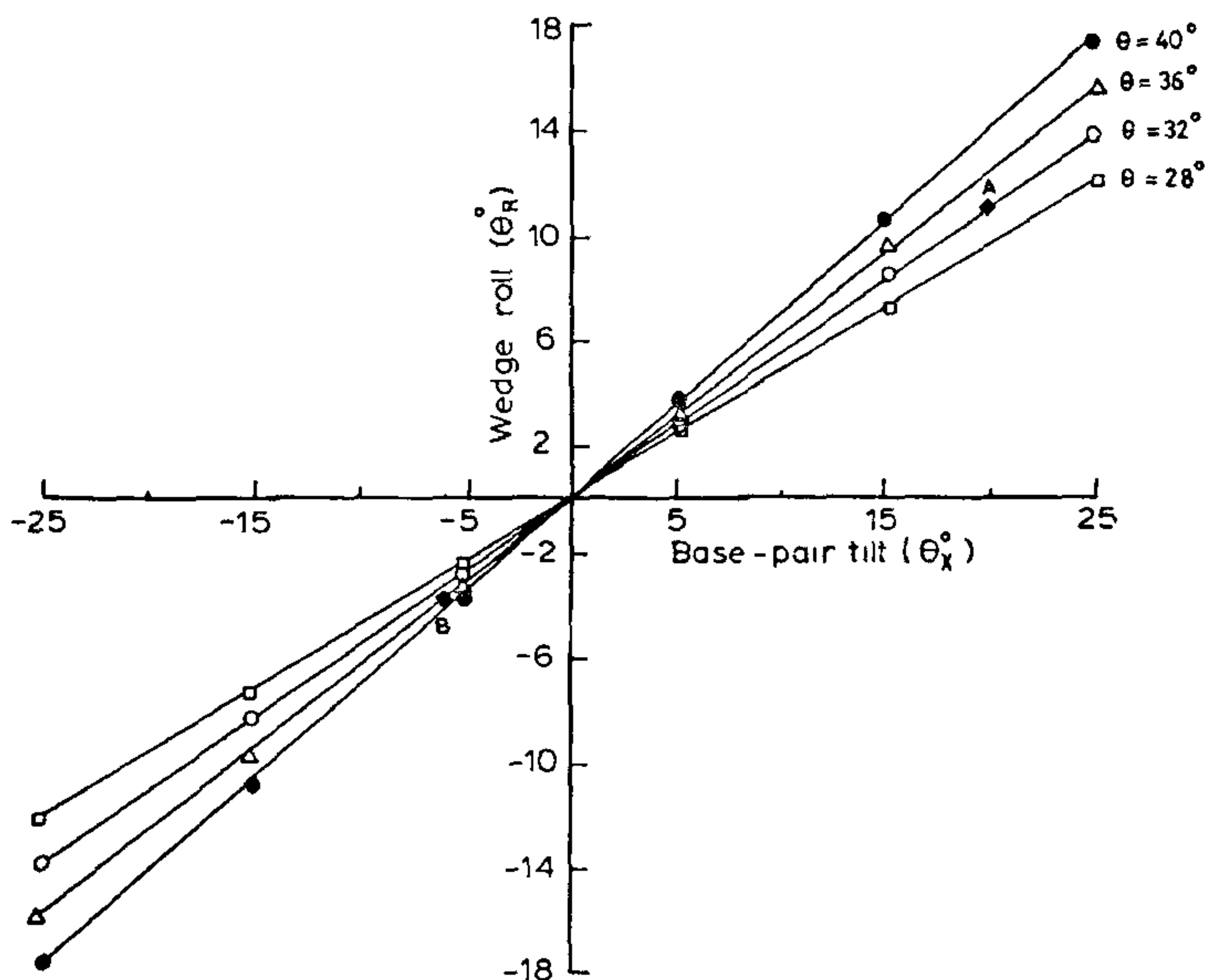


Figure 2. The calculated value of wedge-roll (Θ_R) is plotted against base-pair tilt (Θ_x) for four different values of helical twist (Θ). The signs of Θ_x and Θ_R have been shown here so as to conform to the usual convention^{3,11}, wherein Θ_x is positive for A-DNA and Θ_R is positive for base-pair opening towards minor groove. The points corresponding to the fiber models¹⁰ for A- and B-form DNA are also shown (\blacklozenge).

any prescribed values of the wedge parameters Θ_R and Θ_T .

The base-pair orientations in the oligonucleotide crystal structures have been earlier described in terms of an average helix axis. Because of the non-uniformity in the structure, the base-pair parameters for any two successive base-pairs have different values with respect to this axis. The wedge parameters are now related to the individual base-pair tilts and rolls by

$$\Theta_R = \Theta_R(\Theta_x, \Theta_y, \Theta) + \Theta_{y2} - \Theta_{y1} \quad (13)$$

$$\Theta_T = \Theta_T(\Theta_y, \Theta_x, \Theta) + \Theta_{x2} - \Theta_{x1}. \quad (14)$$

The values of $\Theta_R(\Theta_x, \Theta_y, \Theta)$ and $\Theta_T(\Theta_y, \Theta_x, \Theta)$ in the above equations are calculated using the relations (7) and (8) and making the approximation $\Theta_x = (\Theta_{x1} + \Theta_{x2})/2$ and $\Theta_y = (\Theta_{y1} + \Theta_{y2})/2$. The values of Θ_R , calculated using (13) are shown in figure 3 for the various base-pair steps in the crystal structures of the oligonucleotides d(GGCCGGCC)

and d(CGCGAATTCGCG). The values reported earlier², which were calculated using a global helix-axis, are also plotted and the good agreement between the two is clearly seen, thus proving the validity of this approximation.

The formulation reported here and in reference 3 clearly indicates that a well-defined relationship exists between the wedge parameters and the individual base-pair orientation parameters. Thus the large wedge-roll in the oligo d(A) stretch, which forms the basis of the uniform bending model⁷, could actually arise due to the larger base-pair tilts in this fragment and smaller tilt or roll for the other sequences. This would lead to a change in the helix-axis direction at the interface of the oligo d(A) stretches similar to that proposed in the junction model^{5,9}, thus suggesting that the two models may be geometrically equivalent. Alternatively if the bases in the oligo d(A) stretch are almost normal to the helix axis¹², then a large wedge-roll at the junction could arise due to the neighbouring base-pairs being more tilted.

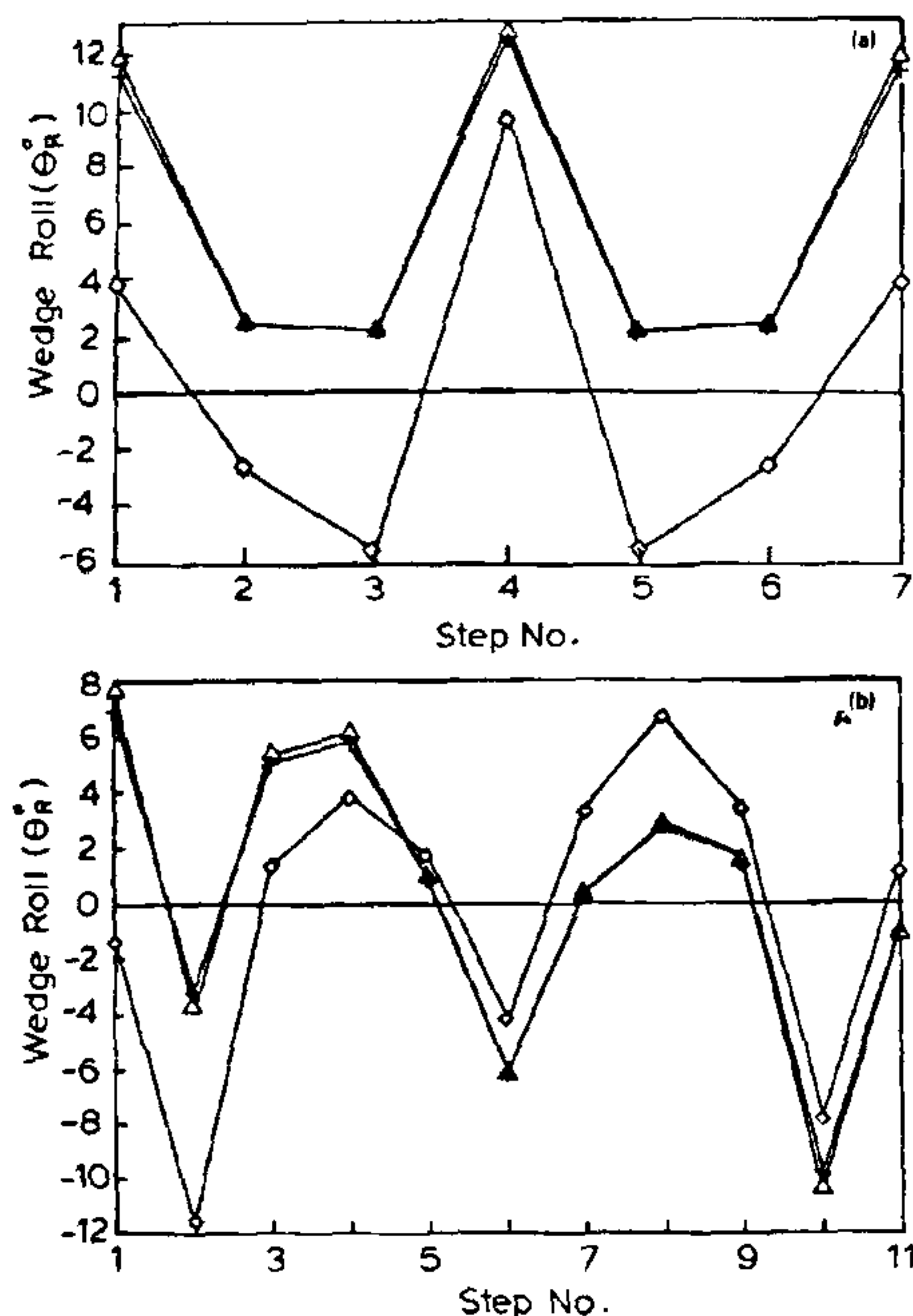


Figure 3a, b. Wedge-roll values for the various base-pair steps in crystal structures of (a) octamer d(GGCCGGCC) in A-form and (b) dodecamer d(CGCGAATTCGCG) in B-form (native). '+' The reported values². '◇' The values calculated using equation (13). The root-mean-square deviations between the calculated and the reported values are 0.28° and 0.36° for the A-DNA and B-DNA structures respectively. '◇' The values calculated using the approximation $\Theta_R = \Theta_{y2} - \Theta_{y1}$, large deviations from the reported values are seen in this case.

ACKNOWLEDGEMENT

The authors are grateful to Prof. V. Sasisekharan for his keen interest and valuable suggestions.

12 October 1988

1. Saenger, W., *Principles of nucleic acid structure*, Springer-Verlag, New York, 1984.
2. Dickerson, R. E., Kopka, M. L. and Pjura, P., In: *Biological macromolecules and assemblies*, (eds) F. A. Jornak and A. McPherson, John Wiley & Sons, New York, 1985, p. 37.
3. Bhattacharyya, D. and Bansal, M., *J. Biomol. Struct. Dynam.*, 1988, 6, 93.
4. Shakked, Z. and Rabinovich, D., *Progr. Biophys. Molec. Biol.*, 1987, 47, 159.
5. Wu, H.-M. and Crothers, D. M., *Nature (London)*, 1984, 308, 509.
6. Calladine, C. R. and Drew, H. R., *J. Mol. Biol.*, 1984, 178, 773.
7. Ulanovsky, L. E. and Trifonov, E. N., *Nature (London)*, 1987, 326, 720.
8. von Kitzing, E. and Diekmann, S., *Eur. Biophys. J.*, 1987, 15, 13.
9. Koo, H.-S. and Crothers, D. M., *Proc. Natl. Acad. Sci. USA*, 1988, 85, 1763.
10. Arnott, S. and Hukins, D. W. L., *Biochem. Biophys. Res. Commun.*, 1972, 47, 1504.
11. Fratini, A. V., Kopka, M. L., Drew, H. R. and Dickerson, R. E., *J. Biol. Chem.*, 1982, 257, 14686.
12. Nelson, H. C. M., Finch, J. T., Luisi, B. F. and Klug, A., *Nature (London)*, 1987, 330, 221.

ANNOUNCEMENT

NATIONAL SYMPOSIUM ON "RECENT TRENDS IN PLANT DISEASE CONTROL"

The above Symposium sponsored by Department of Science & Technology, New Delhi is being organized at School of Agricultural Sciences & Rural Development, North-Eastern Hill University,

Medziphema, Nagaland in March, 1989. Further details can be had from: Dr H. B. Singh, Organizing Secretary, National Symposium, SASARD, NEHU, Medziphema-797 106, Nagaland.